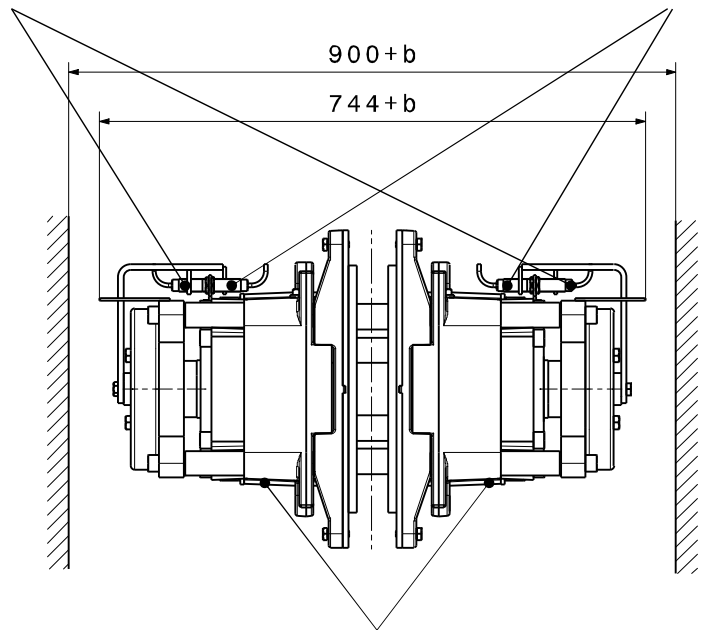
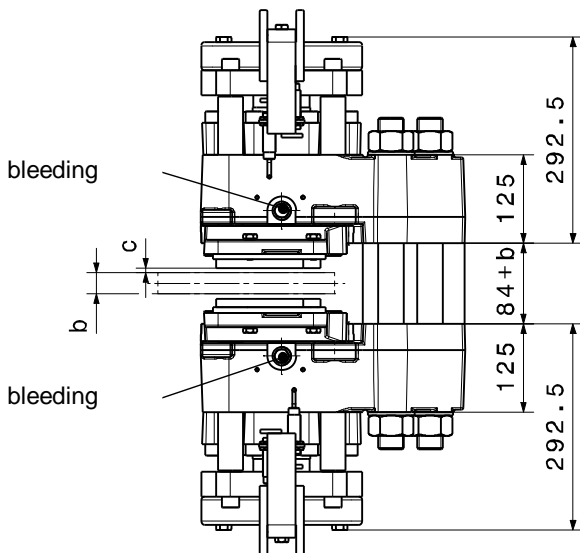


optional limit switch: brake open / closed

optional limit switch: lining wear



hydraulic connection G 1/2"



Mounting Studs			
n	quantity	4	
	size, grade	M36, 12.9	
M _A	fastening torque	Nm	4280 at $\mu=0,14$
Linings			
	material	sinter	
	friction coefficient*	0,4	

SHI-Type		201	202	
Clamping Force F _A				
F _A	with airgap c = 1 mm	kN	170	240
F _A	with airgap c = 2 mm	kN	160	220
F _A	with airgap c = 3 mm	kN	150	200
Torque Calculation				
M _{Br}	braking torque	Nm	2 x F _A x μ x (d/2-60)	
Hydraulic				
P _L	release pressure	bar	115	160
P _{max}	max. pressure	bar	150	205
V _{max}	volumen at c= 2,0 mm	ltr	0,071	
Brake Discs				
b	disc thickness	mm	- 20	
d	disc- \varnothing	mm	- 1100	
d ₁	max. hub or drum- \varnothing	mm	d-360mm	
Dimensions				
L x B x H = 375 x (744+b) x 450 mm				
weight: 300 kg				

*average friction coefficient with standard material combination and a circumferential speed up to 15 m/s