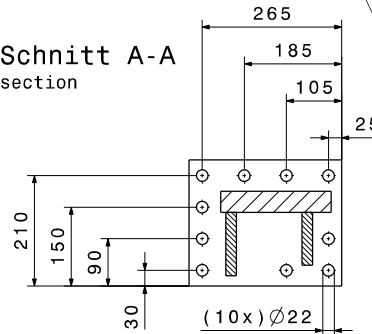
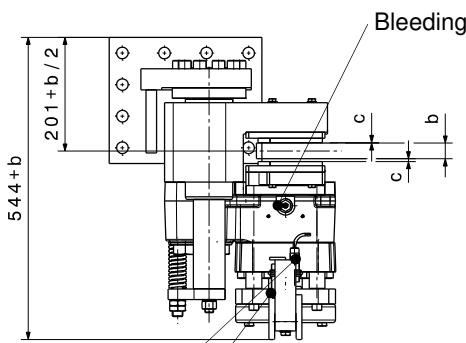


Schnitt A-A section



Hydraulic connection G 1/2"

Manual release device is optionally available



Optional limit switch:  
Lining wear

Optional limit switch:  
Brake open/ close

Mounting studs			
n	Quantity		8
	Size, grade		M24, 10.9
M <sub>A</sub>	Linings	Nm	1000 bei μ=0,14
Beläge			
	Material		Sinter
	Friction coefficient*		0,4

\*Average friction coefficient with standard material combination and a circumferential speed up to 15 m/s

SHI-Type		161 FC	162 FC
<b>Clamping force F<sub>A</sub></b>			
F <sub>A</sub>	With airgap c = 1 mm	kN	98
F <sub>A</sub>	With airgap c = 1,5 mm	kN	88
<b>Torque calculation</b>			
M <sub>Br</sub>	Braking torque Nm	2 x F <sub>A</sub> x μ x (d/2-62.5)	
<b>Hydraulic</b>			
P <sub>L</sub>	Release pressure	bar	90
P <sub>max</sub>	max. pressure	bar	150
V <sub>max</sub>	Volume at c= 1,5 mm	ltr	0,038
<b>Brake discs</b>			
b	Disc thickness	mm	20 ≤ b ≤ 40
d	Disc-Ø	mm	≥ 900
d <sub>1</sub>	max. hub- / drum-Ø	mm	d - 325
<b>Dimensions</b>			
L x B x H = 430 x (544+b) x 762 mm			
max. weight: 328 kg			

When ordering please advise: right hand version, as shown;  
Left hand version, mirror inverted!