

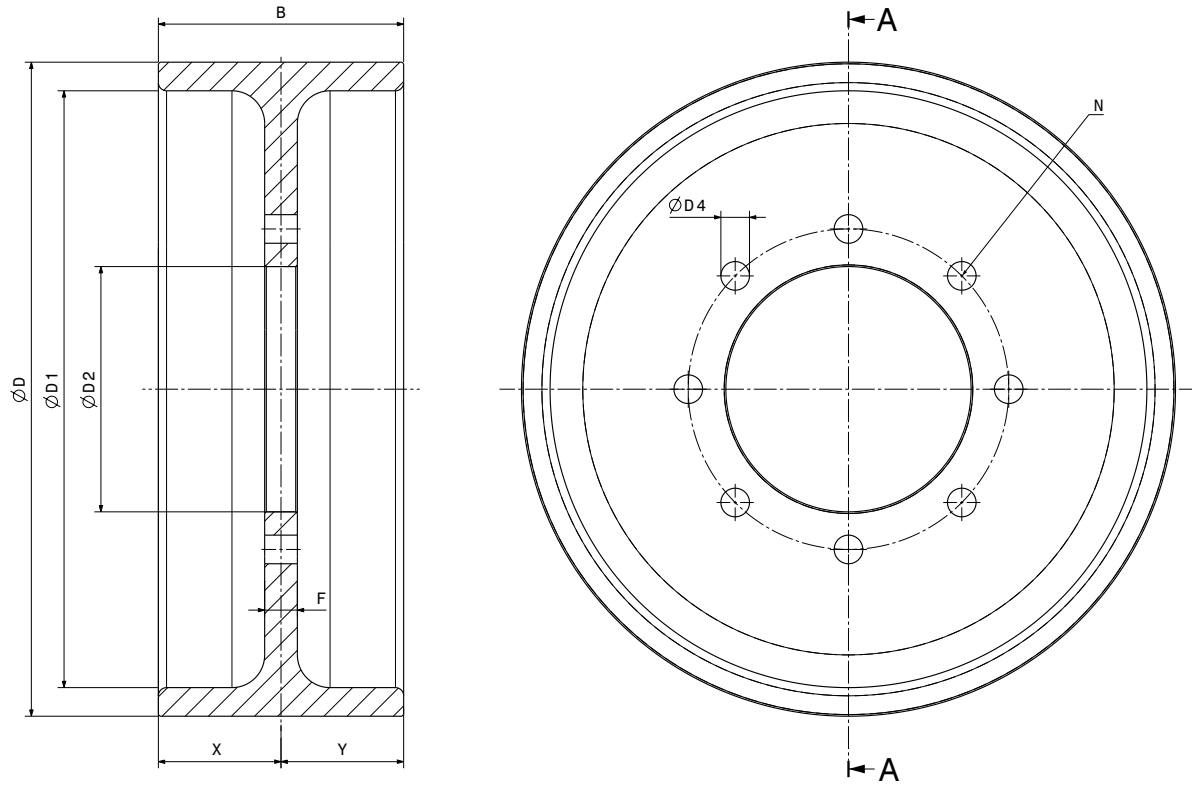


BRAKE DRUM

DIN 15 431

M 1501 135 E-EN-2016-10

Section A-A



D x B mm	dyn. Balancing req. from rpm	$\varnothing D_1$	$\varnothing D_2$ trial bore mm	$\varnothing D_2$	$\varnothing D_3$	$\varnothing D_4$	n	X	Y	E	F	weight at trial bore kg [steel]	inertia kgm^2 [steel]
Ø 200x75	2500	176	20							12	12	8,7	0,04792
Ø 250x95	2000	220	25							15	15	16,8	0,15213
Ø 315x118	1570	285	30							15	18	28,5	0,44072
Ø 400x150	1240	365	35							17,5	20	51,8	1,24421
Ø 500x190	990	460	50							20	22	91,7	3,57137
Ø 630x236	790	580	50							25	26	173,8	10,2168
Ø 710x265	700	650	70							30	30	261,4	18,4063

Other dimensions upon request.