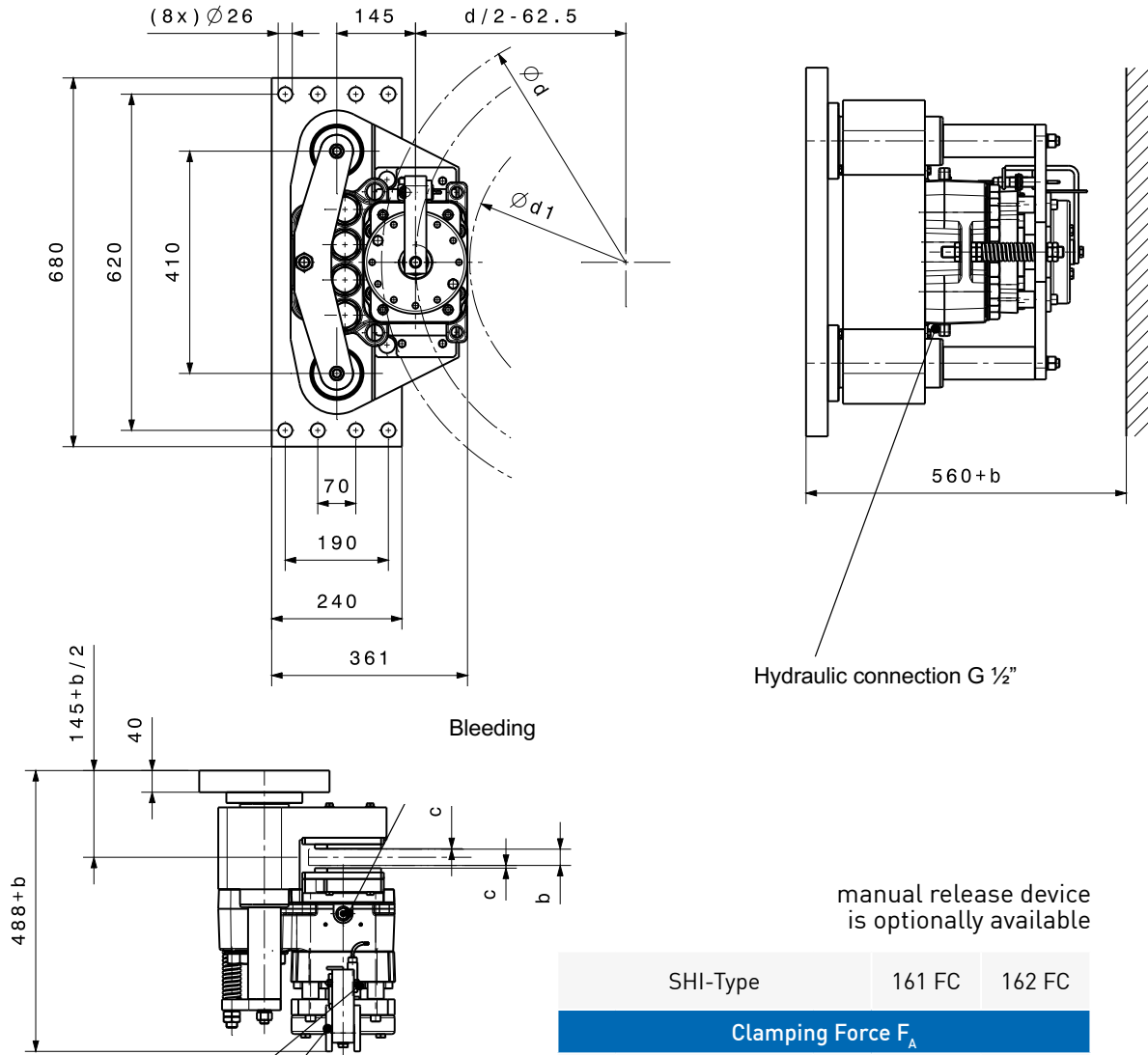


CALIPER BRAKE

SHI 160 FC with flange



M 1501 454 E-EN-2018-01



Optional limit switch:
Lining wear

Optional limit switch:
Brake open/ close

Mounting Studs			
n	quantity		8
	size, grade		M24, 10.9
M _A	fastening torque	Nm	1000 bei $\mu=0,14$
Linings			
	material		sinter
	friction coefficient*		0,4

SHI-Type		161 FC	162 FC
Clamping Force F _A			
F _A	with airgap c = 1,0 mm	kN	98
F _A	with airgap c = 1,5 mm	kN	128
Torque Calculation			
M _{Br}	braking torque	Nm	2 x F _A x μ x (d/2-62.5)
Hydraulic			
PL	release pressure	bar	90
P _{max}	max. pressure	bar	150
V _{max}	volume at c = 1,5 mm	ltr	0,038
Brake Discs			
b	disc thickness	mm	20 ≤ b ≤ 40
d	disc-Ø	mm	≥ 900
d ₁	max. hub or drum-Ø	mm	d - 325
Dimensions			
L x B x H = 361 x (488+b) x 680 mm			
max. weight: 300 kgs			

*average friction coefficient with standard material combination and a circumferential speed up to 15 m/s

When ordering please advise: right hand version, as shown; left hand version, mirror inverted!