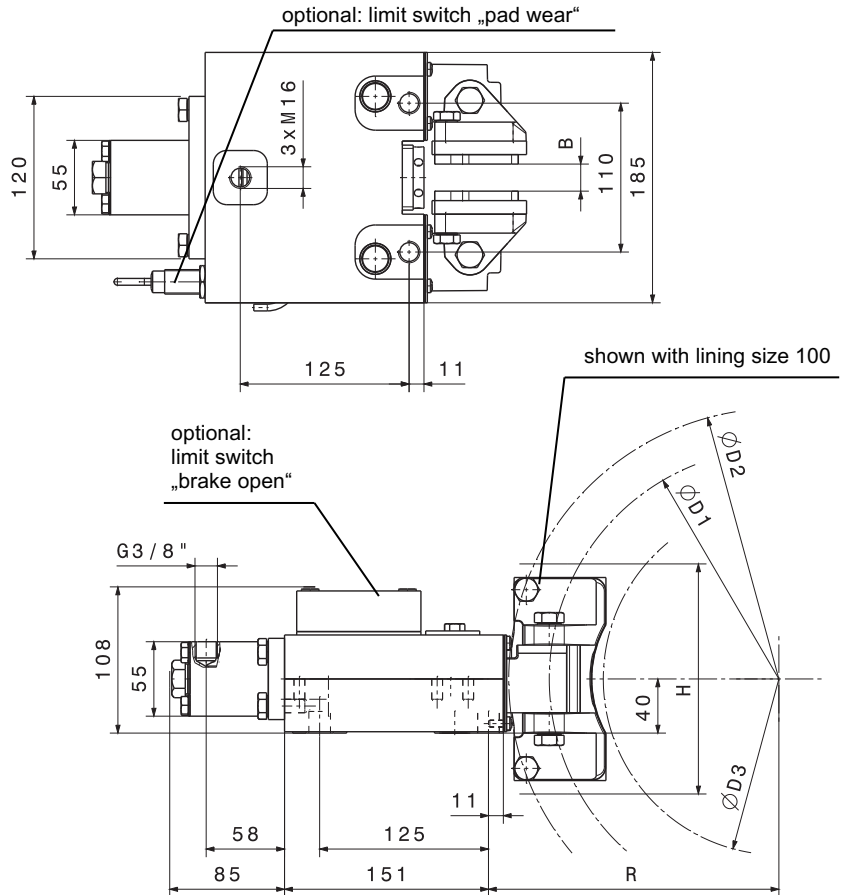
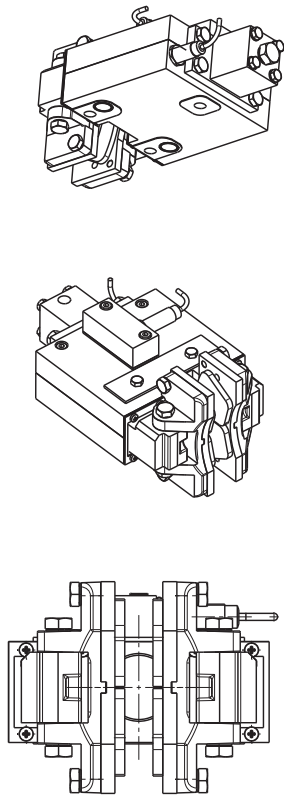
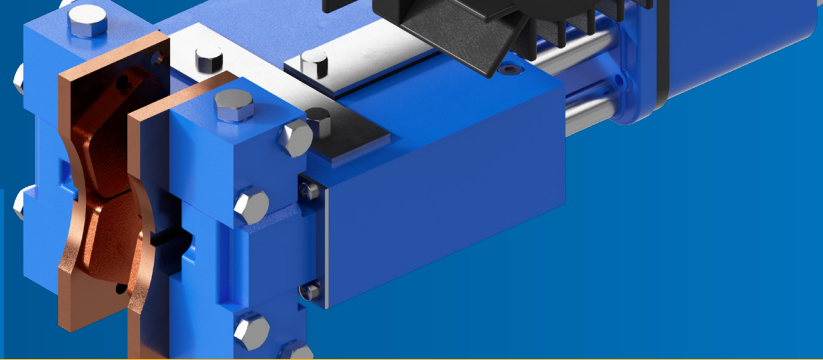


# COMPACT CALIPER BRAKE

## CB8-H

M 1501 331 E-EN-2015-10



### COMPACT CALIPER BRAKE CB8-H FAIL-SAFE, HYDRAULIC RELEASE

- options: manual release, sensors „open“ and „pad wear limit“, closing delay
- B = disc width in mm, standard = 20 mm, optional: 12,7; 16; 25; 30
- Ø D2 = outer disc diameter in mm
- linings: = type 50 standard: organic [suitable for max.circumferential speed  $v_{max} = 35m/sec.$ ]
- = type 60 optional: Sinter
- = type 100 standard: Sinter [for discs  $D2 \geq \varnothing 250$ ]
- weight = 22 kg

### TECHNICAL DATA FOR INTEGRATED HYDRAULIC CYLINDER

- release pressure: 30 bar
- max. pressure: 90 bar
- piston diameter: 35 mm
- max. stroke: 13 mm

( H\* for B > 25 mm )

CB8-H	dimensions depending on selected lining size				
	ØD1	ØD3	R	H (H*)	
- 50/60 (lining type 50/60)	ØD2 - 46	ØD2 - 110	D2 / 2 + 19,5	110 [130]	
- 100 (lining type 100)	ØD2 - 60	ØD2 - 140	D2 / 2 + 15	152 [170]	
braking torque in Nm ( $\mu = 0,4$ ) on disc-Ø D2, adjustable from / to					
	Ø 200	Ø 250	Ø 315	Ø 400	Ø 500
CB8-H-50/60	80-300	110-400	140-530	180-700	n.a.
CB8-H-100	n.a.	350-680	460-910	620-1220	800-1580