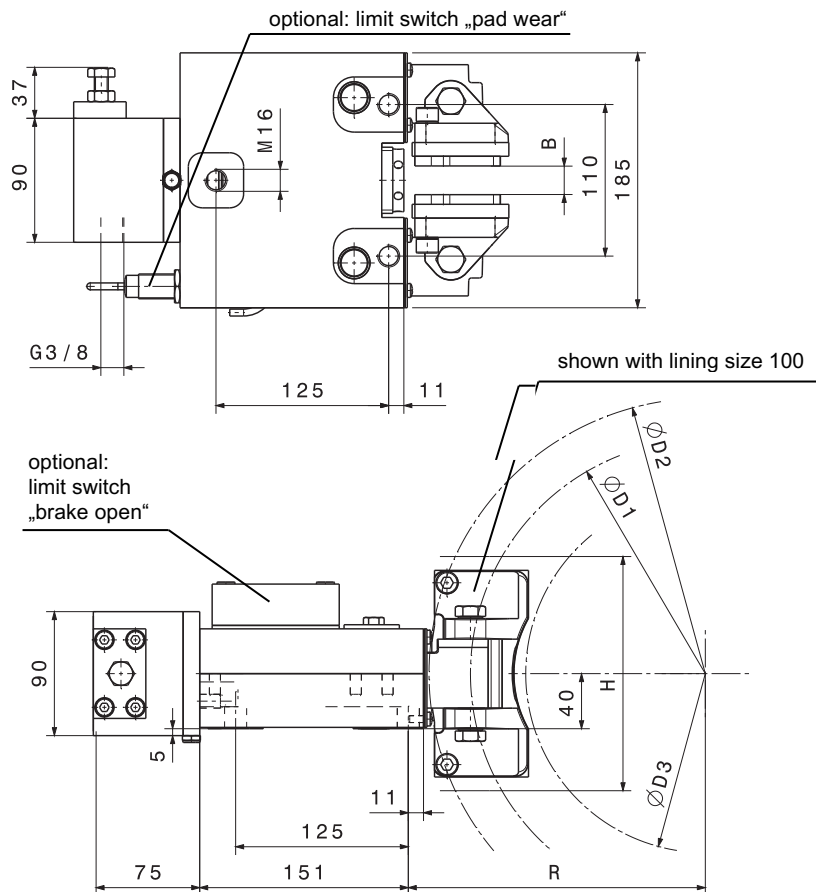
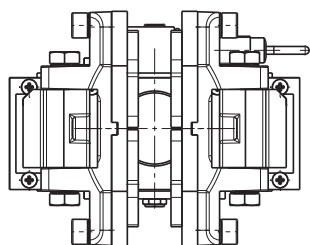
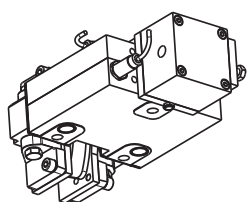
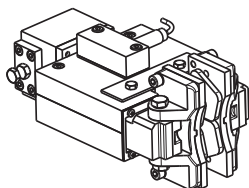


COMPACT CALIPER BRAKE

CB8-P

M 1501 381 E-EN-2015-05



COMPACT CALIPER BRAKE CB8-P FAIL-SAFE, PNEUMATIC RELEASE

options: manual release, sensors „open“ and „pad wear limit“, closing delay

B = disc width in mm, standard = 20 mm, optional: 12,7; 16; 25; 30

Ø D2 = outer disc diameter in mm

linings: = type 50 standard: organic (suitable for max.circumferential speed $v_{max} = 35m/sec.$)

= type 60 optional: Sinter

= type 100 standard: Sinter (for discs $D2 \geq \varnothing 250$)

weight = 26 kg

TECHNICAL DATA FOR INTEGRATED PNEUMATIC CYLINDER

release pressure: 6 bar

piston diameter: 80 mm

max. stroke: 13 mm

[H* for B > 25 mm]

dimensions depending on selected lining size

CB8-P	ØD1	ØD3	R	H (H*)	
- 50/60 (lining type 50/60)	ØD2 - 46	ØD2 - 110	D2 / 2 + 19,5	110 (130)	
- 100 (lining type 100)	ØD2 - 60	ØD2 - 140	D2 / 2 + 15	152 (170)	
braking torque in Nm ($\mu = 0,4$) on disc-Ø D2, adjustable from / to					
	Ø 200	Ø 250	Ø 315	Ø 400	Ø 500
CB8-P-50/60	80-300	110-400	140-530	180-700	n.a.
CB8-P-100	n.a.	350-680	460-910	620-1220	800-1580