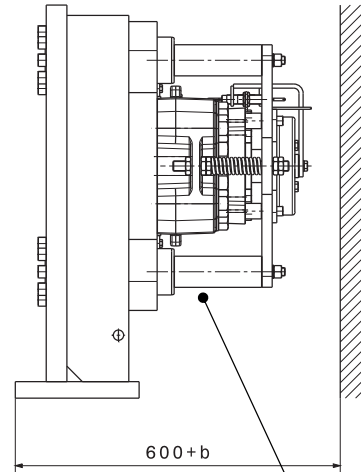
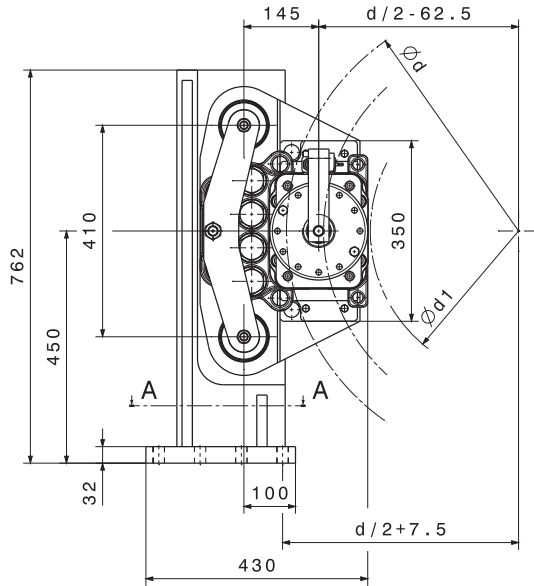


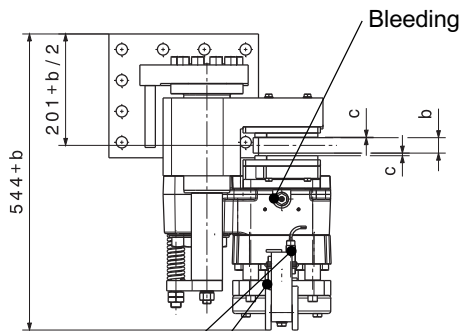
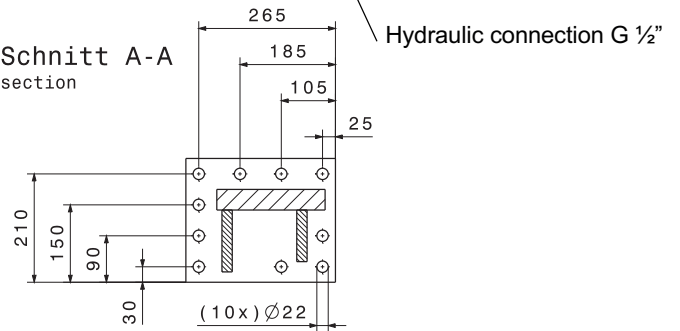
CALIPER BRAKE

SHI 160 FC with console

M 1501 455 E-EN-2018-01



Schnitt A-A section



manual release device is optionally available

Optional limit switch:
Lining wear

Optional limit switch:
Brake open/ close

Mounting Studs			
n	quantity		10
	size, grade		M20, 12.9
M_A	fastening torque	Nm	690 at $\mu=0,14$
Linings			
	material		sinter
	friction coefficient*		0,4

SHI-Type		161 FC	162 FC
Clamping Force F_A			
F_A	with airgap $c = 1,0$ mm	kN	98
F_A	with airgap $c = 1,5$ mm	kN	128
Torque Calculation			
M_{Br}	braking torque	Nm	$2 \times F_A \times \mu \times (d/2-62.5)$
Hydraulic			
PL	release pressure	bar	90
P_{max}	max. pressure	bar	150
V_{max}	volume at $c = 1,5$ mm	ltr	0,038
Brake Discs			
b	disc thickness	mm	$20 \leq b \leq 40$
d	disc- \emptyset	mm	≥ 900
d_1	max. hub or drum- \emptyset	mm	$d - 325$
Dimensions			
L x B x H = 430 x (544+b) x 762 mm			
max. weight: 328 kgs			

*average friction coefficient with standard material combination and a circumferential speed up to 15 m/s

When ordering please advise: right hand version, as shown; left hand version, mirror inverted!