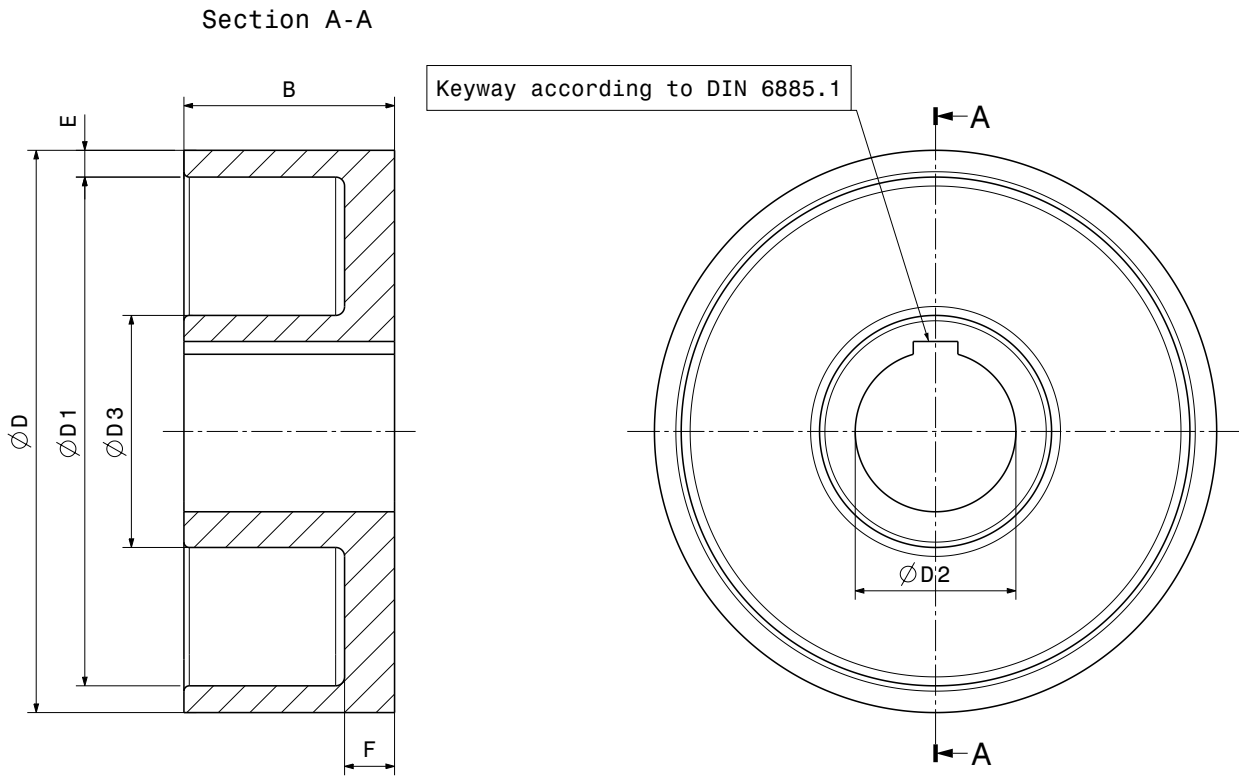


# BRAKE DRUM

## DIN 15 431



M 1501 95 E-EN-2001-10



D x B mm	dyn. balancing req. from r.p.m.	Ø d <sub>2</sub> trial bore mm	max. final bore Ød <sub>2</sub>			Ø d3	Ø d1	e	f	weight at trial bore kg		inertia kg m <sup>2</sup>	
			GG mm	GGG GS mm	St 52-3 mm					GG	St	GG	St
Ø 200x75	2500	20	50	55	55	80	176	12	12	8,1	8,7	0,0436	0,0479
Ø 250x95	2000	25	62	68	68	100	220	15	15	16,0	17,3	0,1318	0,1521
Ø 315x118	1570	30	80	90	90	130	285	15	28	33,2	35,8	0,4233	0,4574
Ø 400x150	1240	35	90	100	100	145	365	17,5	60	78,1	84,6	1,6248	1,7564
Ø 500x190	990	50	100	110	110	160	460	20	20	87,7	95,0	3,2467	3,5714
Ø 630x236	790	50	110	120	120	180	580	25	25	165,4	179,1	9,2880	10,2168
Ø 710x265	700	70	125	135	135	200	650	30	30	241,4	261,4	16,7330	18,4063

Other dimensions upon request.