



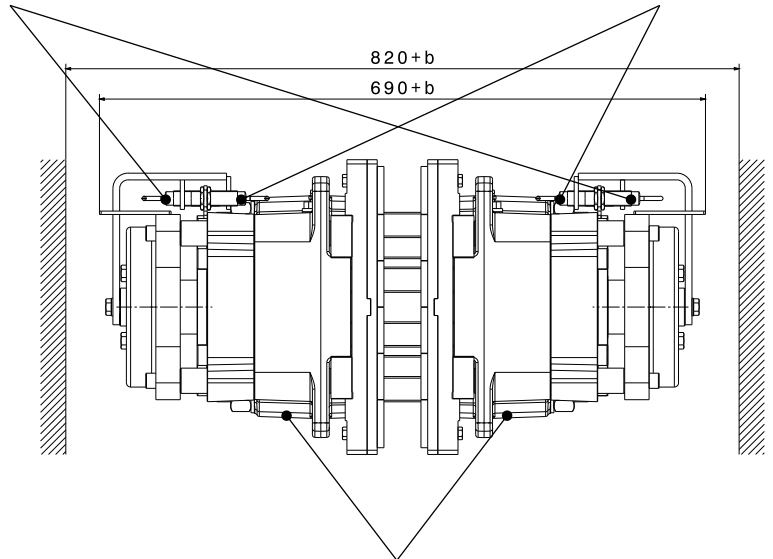
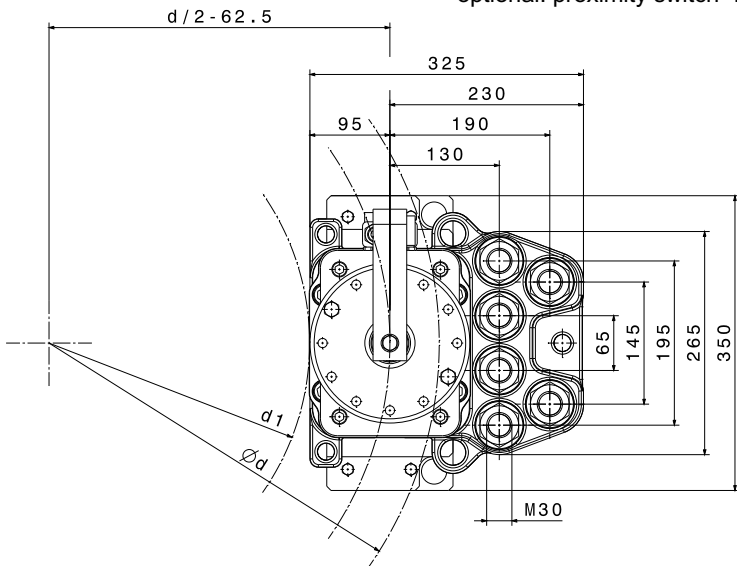
CALIPER BRAKE

SHI 161 & 162

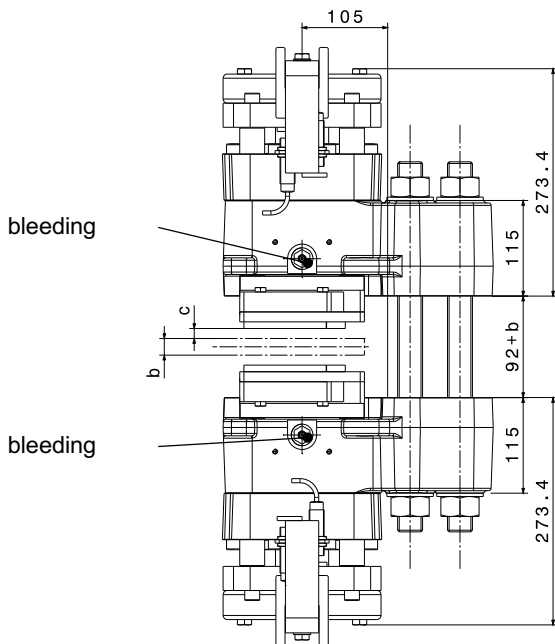
M 1501 393 E-EN-2017-01

optional: proximity switch "brake open / closed"

optional: proximity switch "lining wear"



hydraulic connection G 1/2"



manual release device is optionally available

Mounting Studs		
n	quantity	6
	size, grade	M30, 12.9
M_A	fastening torque Nm	2200 at $\mu=0,14$
Linings		
	material	sinter
	friction coefficient*	0,4

SHI-Type		161	162	
Clamping Force F_A				
F_A	with airgap c = 1 mm	kN	108	190
F_A	with airgap c = 2 mm	kN	98	160
F_A	with airgap c = 3 mm	kN	88	128
Torque Calculation				
M_{Br}	braking torque	Nm	$2 \times F_A \times \mu \times (d/2-62,5)$	
Hydraulic				
PL	release pressure	bar	90	170
P_{max}	max. pressure	bar	150	205
V_{max}	volume at c = 2,0 mm	ltr	0,062	
Brake Discs				
b	disc thickness	mm	≥ 20	
d	disc-Ø	mm	≥ 900	
d1	max. hub or drum-Ø	mm	d-325 mm	
Dimensions				
L x B x H = 325 x (690+b) x 350 mm				
weight: 230 kgs				

*average friction coefficient with standard material combination and a circumferential speed up to 15 m/s