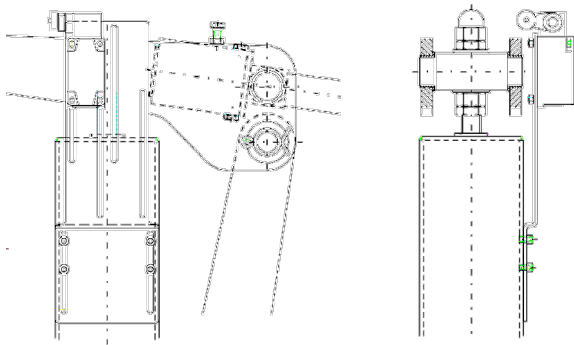


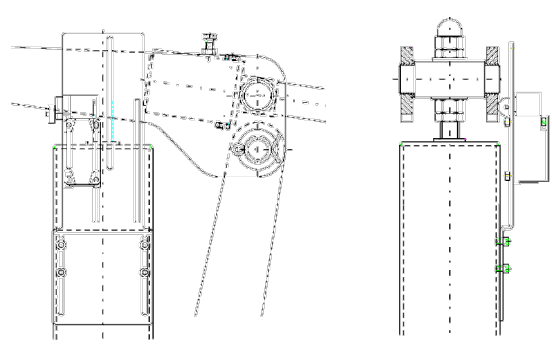
# DRUM BRAKE OPTIONS

M 1501 206 E-EN-2011-08

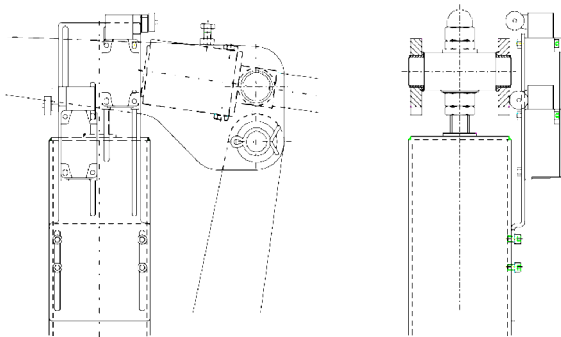
mechanical limit switch „brake open“ as per  
WN 200/51 with switch PS316-Z11-H310-U2



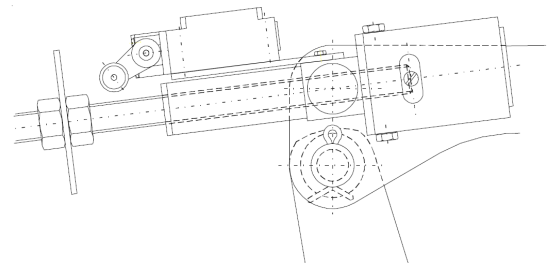
mechanical limit switch „brake closed“ as per  
WN 200/52 with switch PS316-Z11-H310-U2



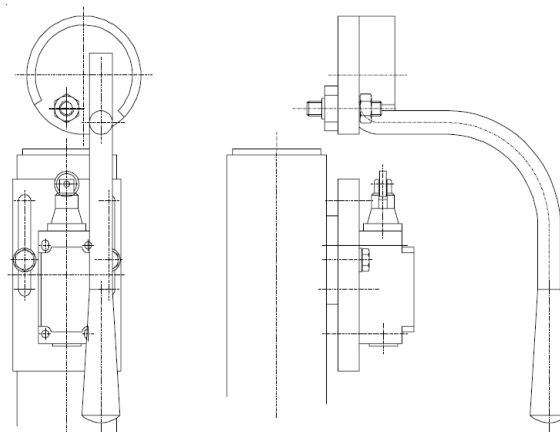
mechanical twin limit switch „open & closed“ as  
per WN 200/53 with switch PS316-Z11-H310-U2



mechanical limit switch „pad wear limit“ as  
per WN 200/04 with switch PS316-Z11-H310-U2



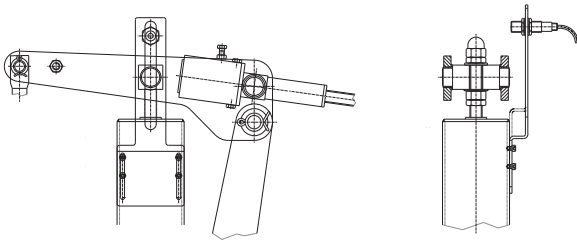
emergency manual release with mechanical  
limit switch ZR336-11z for indication  
„manual release engaged“ as per WN 200/03



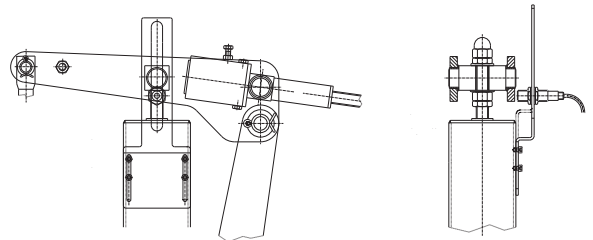
# DRUM BRAKE OPTIONS

M 1501 206 E-EN-2011-08

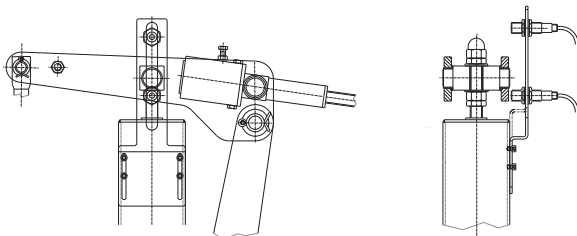
inductive proximity switch „brake open“ as per  
WN 200/54 with sensor Bi5-M18-ADZ3X



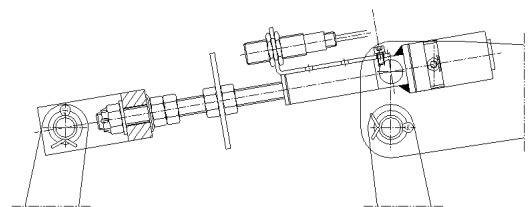
inductive proximity switch „brake closed“ as  
per WN 200/55 with sensor Bi5-M18-ADZ3X



inductive proximity switch „open & closed“ as  
per WN 200/56 with sensor Bi5-M18-ADZ3X



inductive proximity switch „pad wear limit“ as  
per WN 200/04-1 with sensor Bi5-M18-RDZ3X



emergency manual release with inductive pro-  
ximity switch Bi5-M18-ADZ3X for indication  
„manual release engaged“ as per WN 200/03

